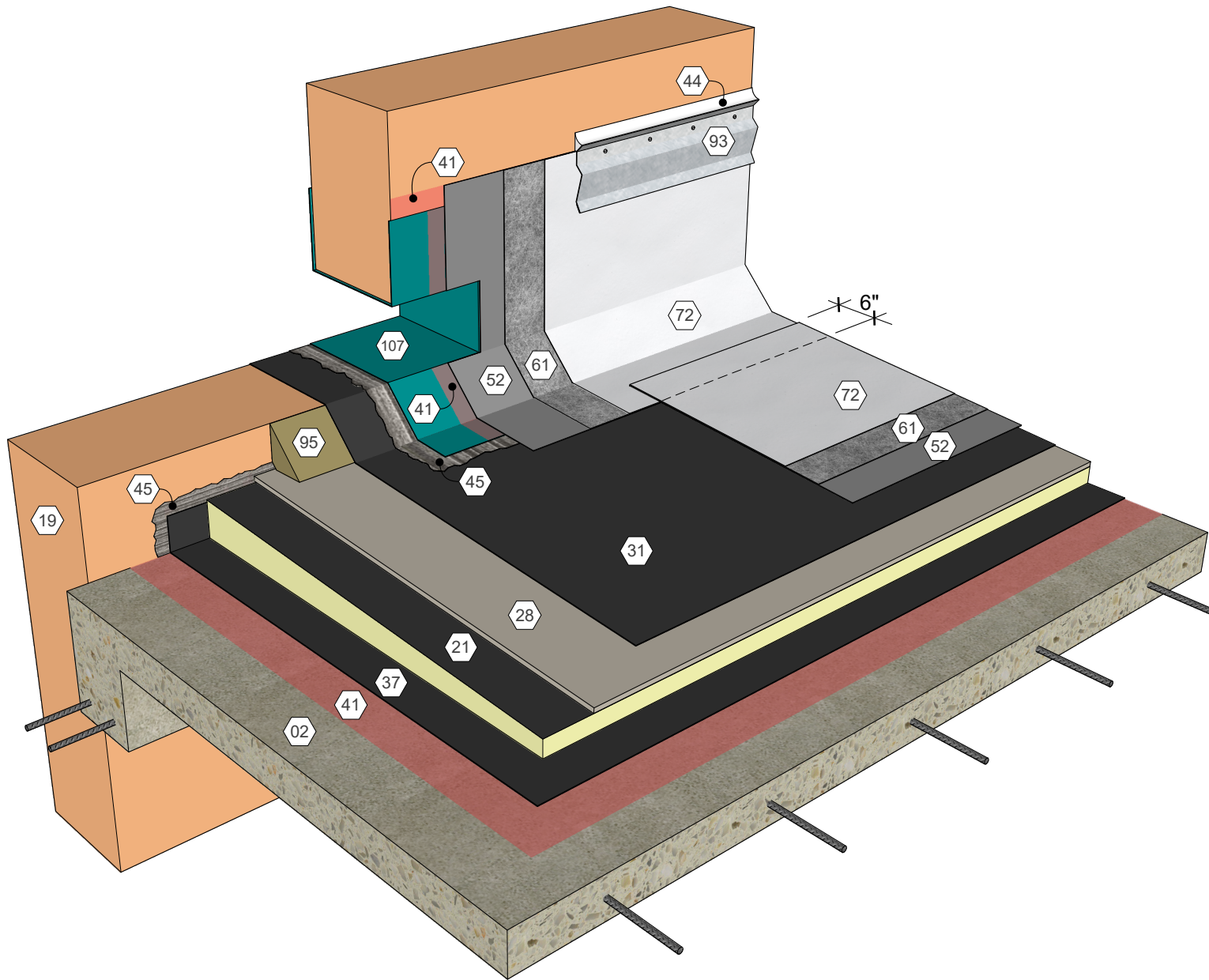


KEY NOTES

- 01 Metal Deck
- 09 Roof Structure
- 19 Wall Assembly
- 22 Polyisocyanurate Insulation (Fastened or Adhered)
- 27 Substrate Board (Fastened)
- 28 Cover Board (Adhered)
- 31 Approved Base Ply Sheet
- 37 Approved Base Sheet (Adhered)
- 41 Approved Primer
- 44 Approved Sealant, Optional
- 45 Roofing Mastic
- 52 AlphaGuard BIO Base Coat
- 61 AlphaGuard Glass Mat or Permafab
- 72 AlphaGuard BIO Top Coat
- 93 Counterflashing, Optional
- 95 Cant Strip
- 107 Sheet Metal Scupper

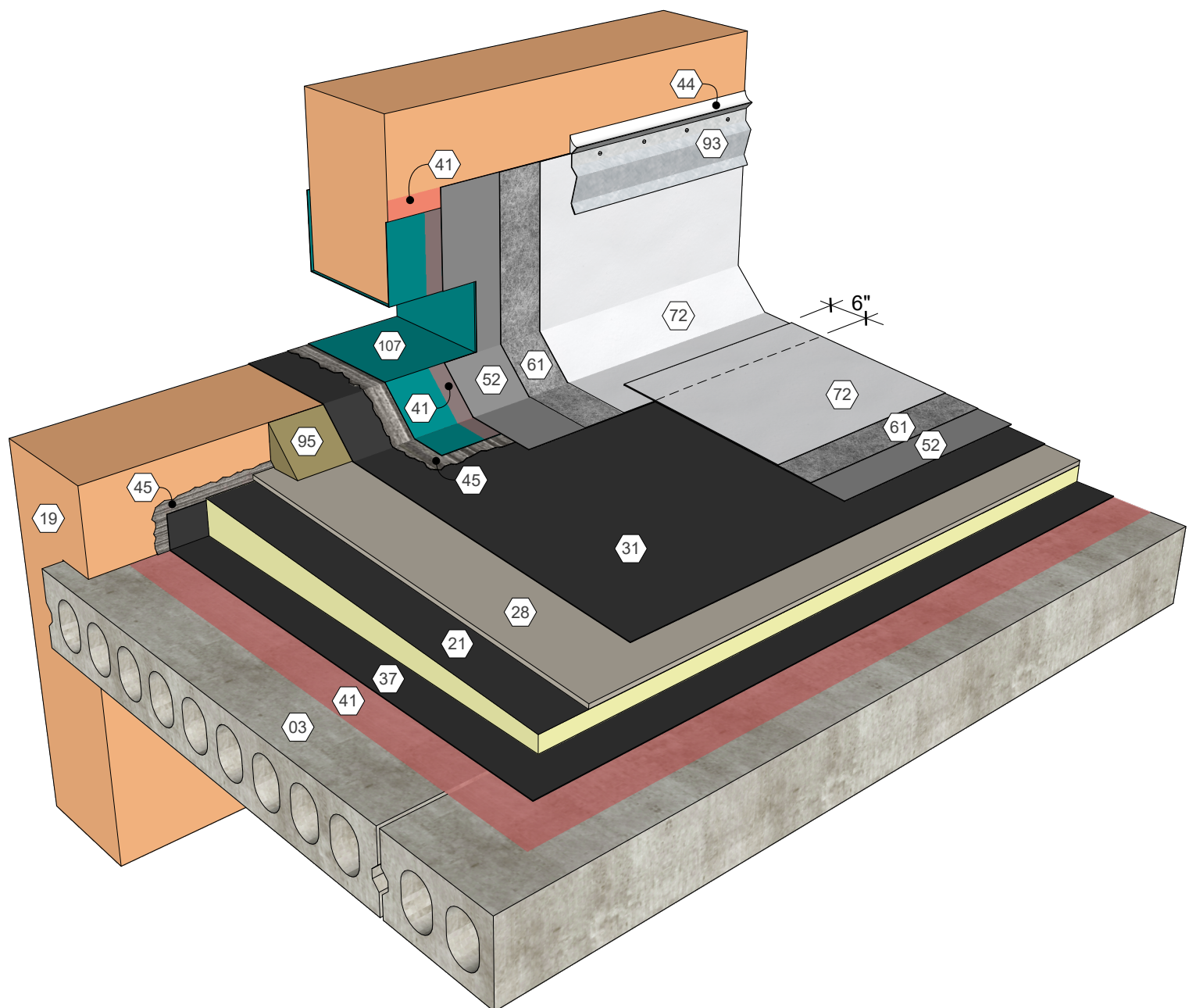
AlphaGuard® BIO Plus Overflow Scupper, Temp. Roof, Metal Deck
Detail 33241



KEY NOTES

- 02 Structural Concrete Deck
- 09 Roof Structure
- 19 Wall Assembly
- 21 Polyisocyanurate Insulation (Adhered)
- 28 Cover Board (Adhered)
- 31 Approved Base Ply Sheet
- 37 Approved Base Sheet (Adhered)
- 41 Approved Primer
- 44 Approved Sealant, Optional
- 45 Roofing Mastic
- 52 AlphaGuard BIO Base Coat
- 61 AlphaGuard Glass Mat or Permafab
- 72 AlphaGuard BIO Top Coat
- 93 Counterflashing, Optional
- 95 Cant Strip
- 107 Sheet Metal Scupper

AlphaGuard® BIO Plus Overflow Scupper, Temp. Roof, Structural Concrete Deck
 Detail 33242



KEY NOTES

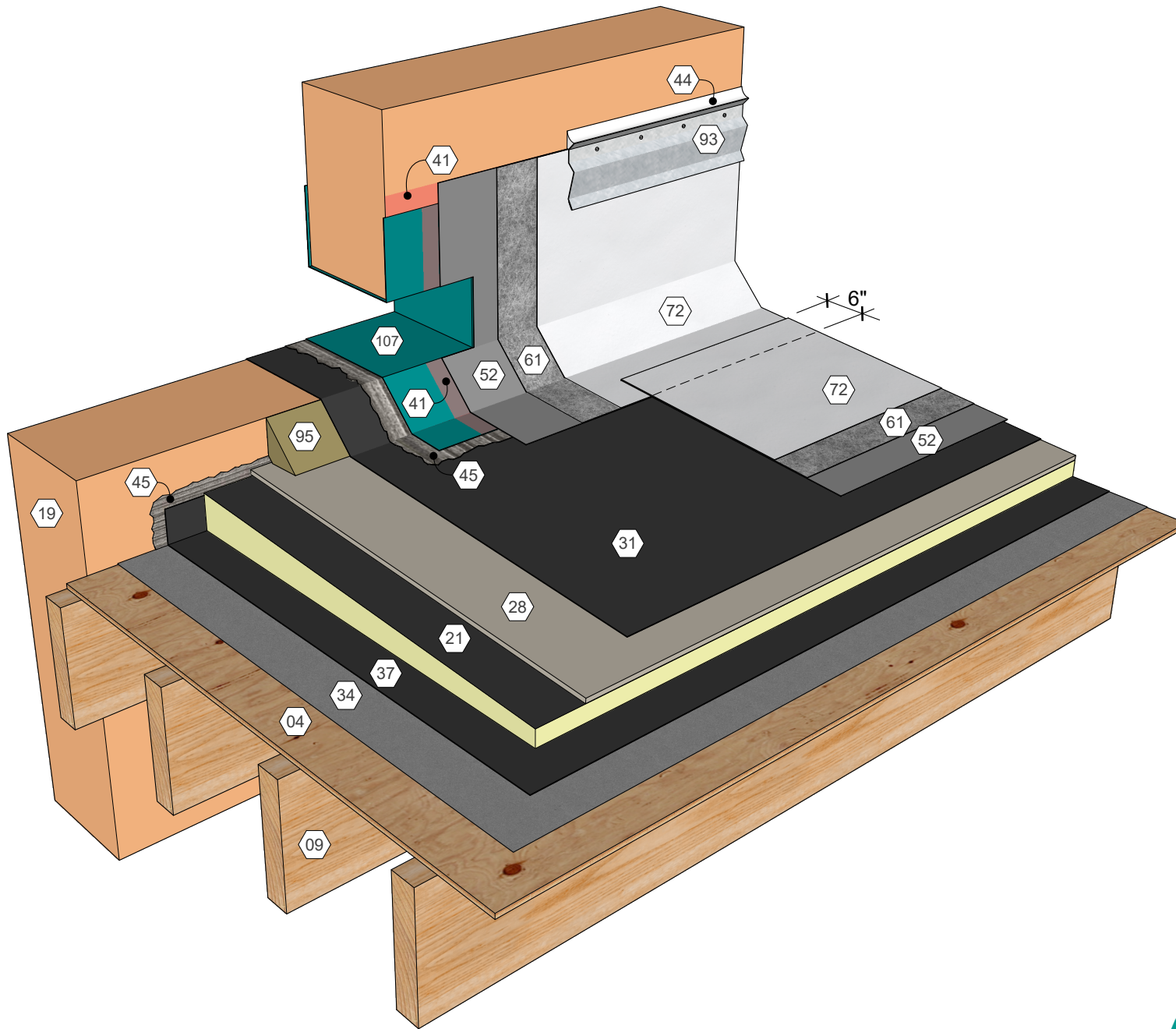
- 03 Precast Concrete Deck
- 19 Wall Assembly
- 21 Polyisocyanurate Insulation (Adhered)
- 28 Cover Board (Adhered)
- 31 Approved Base Ply Sheet
- 37 Approved Base Sheet (Adhered)
- 41 Approved Primer
- 44 Approved Sealant, Optional
- 45 Roofing Mastic
- 52 AlphaGuard BIO Base Coat
- 61 AlphaGuard Glass Mat or Permafab
- 72 AlphaGuard BIO Top Coat
- 93 Counterflashing, Optional
- 95 Cant Strip
- 107 Sheet Metal Scupper

AlphaGuard® BIO Plus Overflow Scupper, Temp. Roof, Precast Concrete Deck
 Detail 33243

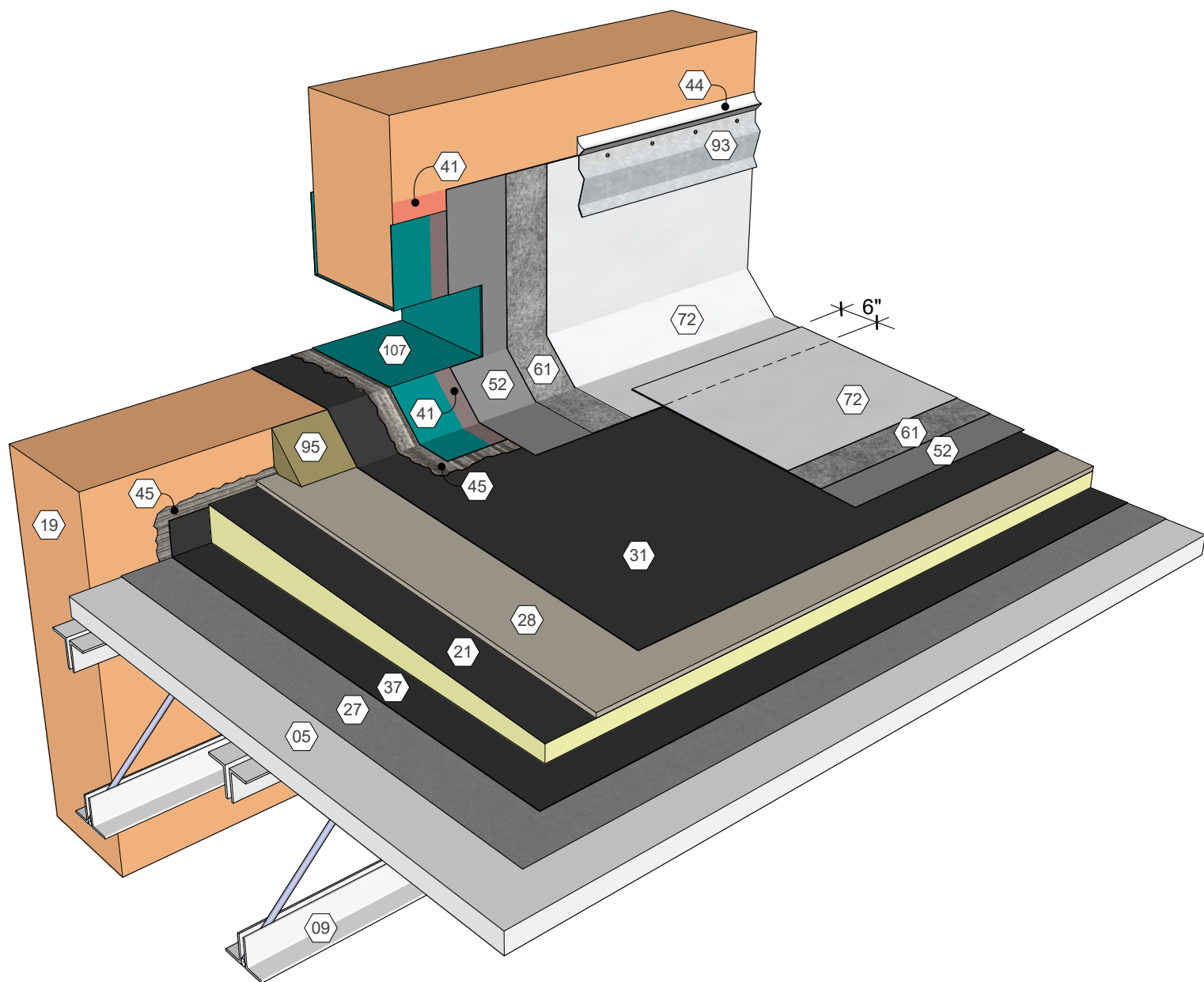


KEY NOTES

- 04 Wood Deck
- 09 Roof Structure
- 19 Wall Assembly
- 21 Polyisocyanurate Insulation (Adhered)
- 28 Cover Board (Adhered)
- 31 Approved Base Ply Sheet
- 34 Base Sheet (Fastened)
- 37 Approved Base Sheet (Adhered)
- 41 Approved Primer
- 44 Approved Sealant, Optional
- 45 Roofing Mastic
- 52 AlphaGuard BIO Base Coat
- 61 AlphaGuard Glass Mat or Permafab
- 72 AlphaGuard BIO Top Coat
- 93 Counterflashing, Optional
- 95 Cant Strip
- 107 Sheet Metal Scupper



AlphaGuard® BIO Plus Overflow Scupper, Temp.Roof, Wood Deck
Detail 33244



KEY NOTES

- 05 Gypsum Deck
- 09 Roof Structure
- 19 Wall Assembly
- 21 Polyisocyanurate Insulation (Adhered)
- 28 Cover Board (Adhered)
- 31 Approved Base Ply Sheet
- 34 Base Sheet (Fastened)
- 37 Approved Base Sheet (Adhered)
- 41 Approved Primer
- 44 Approved Sealant, Optional
- 45 Roofing Mastic
- 52 AlphaGuard BIO Base Coat
- 61 AlphaGuard Glass Mat or Permafab
- 72 AlphaGuard BIO Top Coat
- 93 Counterflashing, Optional
- 95 Cant Strip
- 107 Sheet Metal Scupper

AlphaGuard® BIO Plus Overflow Scupper, Temp. Roof, Gypsum Deck
 Detail 33245

